

Product availability: Stock - Normally stocked in distribution facility



### Main

Range of product	Modicon X80
Product or component type	Discrete output module
Discrete output number	16
Discrete output type	Triac
Discrete output voltage	100...240 V AC
Discrete output current	0.6 A

### Complementary

Maximum leakage current	1.5 MA at state 0 120 V AC 60 Hz 3 MA at state 0 240 V AC 60 Hz
Maximum voltage drop	<1.5 V at state 1
Insulation resistance	> 10 MOhm 500 V DC
Response time on output	<= 1.011 ms resistive activation <= 1.011 ms resistive deactivation
Typical current consumption	79 MA 3.3 V DC
Protection type	1 external fuse fast blow
Inrush current	20 A
Maximum current per output common	2.4 A
Output current limits	0.025...4.8 A
Status LED	Module operating (RUN) 1 LED Green) Channel diagnostic 1 LED per channel Green) Module error (ERR) 1 LED Red) Module I/O 1 LED Red)

### Environment

IP degree of protection	IP20
Directives	2014/35/EU - low voltage directive 2014/30/EU - electromagnetic compatibility
Dielectric strength	2830 V AC 50/60 Hz 1 min
Vibration resistance	3 gn
Shock resistance	30 gn

Ambient air temperature for storage	-40...185 °F (-40...85 °C)
Ambient air temperature for operation	32...140 °F (0...60 °C)
Relative humidity	5...95 % 131 °F (55 °C) without condensation
Operating altitude	0...6561.68 ft (0...2000 m) 2000...5000 m with derating factor

## Ordering and shipping details

Category	18160 - MODICON M340
Discount Schedule	PC34
GTIN	03595863966954
Nbr. of units in pkg.	1
Package weight(Lbs)	7.16 Oz (203 g)
Returnability	Yes
Country of origin	FR

## Packing Units

Unit Type of Package 1	PCE
Package 1 Height	2.17 In (5.5 cm)
Package 1 width	4.33 In (11 cm)
Package 1 Length	4.61 In (11.7 cm)
Unit Type of Package 2	S02
Number of Units in Package 2	15
Package 2 Weight	7.50 Lb(US) (3.4 kg)
Package 2 Height	5.91 In (15 cm)
Package 2 width	11.81 In (30 cm)
Package 2 Length	15.75 In (40 cm)

## Offer Sustainability

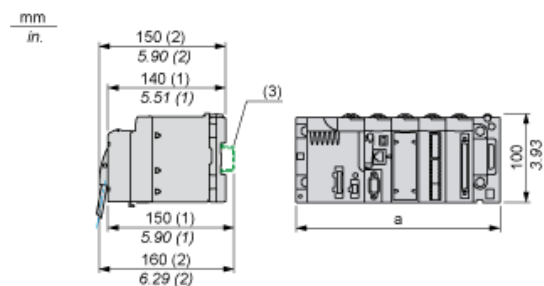
Sustainable offer status	Green Premium product
California proposition 65	WARNING: This product can expose you to chemicals including: Lead and lead compounds, which is known to the State of California to cause cancer and birth defects or other reproductive harm. For more information go to <a href="http://www.P65Warnings.ca.gov">www.P65Warnings.ca.gov</a>
REACH Regulation	<a href="#">REACH Declaration</a>
REACH free of SVHC	Yes
EU RoHS Directive	Pro-active compliance (Product out of EU RoHS legal scope) <a href="#">EU RoHS Declaration</a>
Mercury free	Yes
RoHS exemption information	<a href="#">Yes</a>
China RoHS Regulation	<a href="#">China RoHS Declaration</a>
Environmental Disclosure	<a href="#">Product Environmental Profile</a>
Circularity Profile	<a href="#">End Of Life Information</a>
WEEE	The product must be disposed on European Union markets following specific waste collection and never end up in rubbish bins.

## Contractual warranty

Warranty	18 months
----------	-----------

Modules Mounted on Racks

Dimensions

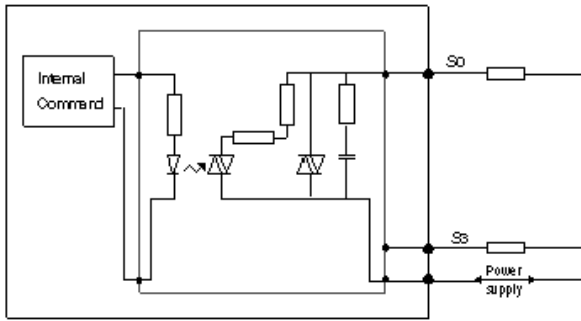


- (1) With removable terminal block (cage, screw or spring).
- (2) With FCN connector.
- (3) On AM1 ED rail: 35 mm wide, 15 mm deep. Only possible with BMXXBP0400/0400H/0600/0600H/0800/0800H rack.

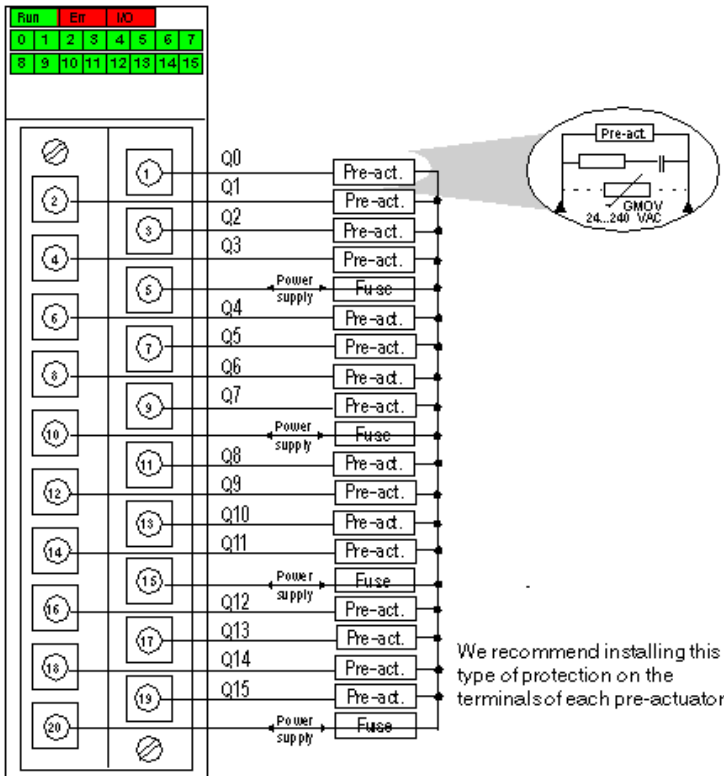
Rack references	a in mm	a in in.
BMXXBP0400 and BMXXBP0400H	242.4	09.54
BMXXBP0600 and BMXXBP0600H	307.6	12.11
BMXXBP0800 and BMXXBP0800H	372.8	14.68
BMXXBP1200 and BMXXBP1200H	503.2	19.81

Connecting the Module

Output Circuit Diagram



Module Connection



power 600, 240 VAC

fuse 1 fast blow fuse of 3 A for each 4-channel group

Product Life Status : **Commercialised**